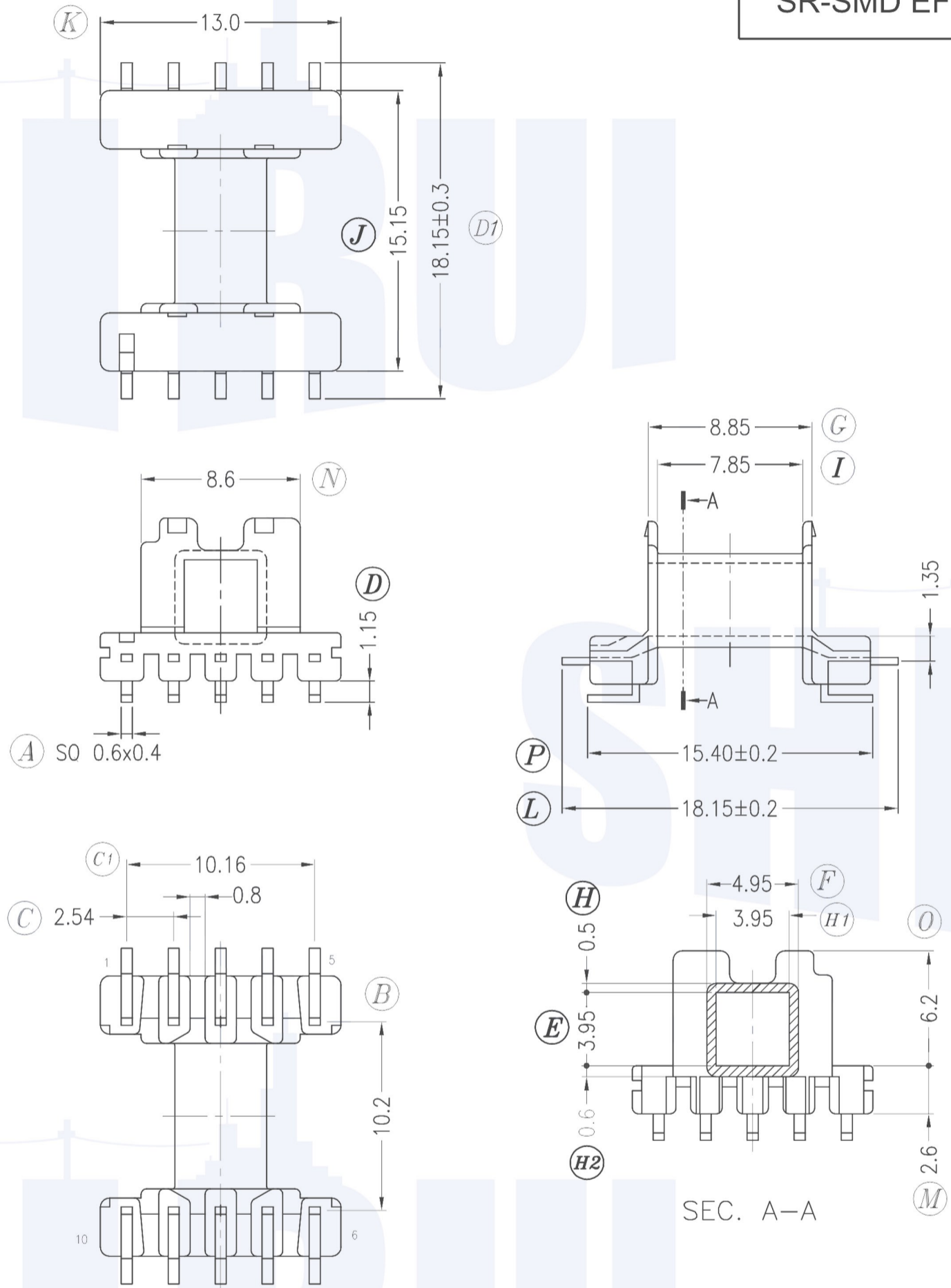


P/N  
SR-SMD EF1212

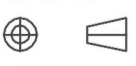


**Hefei Shirui Electronic Technology Co.,Ltd**

www.shiruitech.com

TEL:(0086)55165232650

sales@shiruitech.com

SR NO. <b>SR-SMD EF1212</b>	MATERIAL: LCP E4008	UNIT: mm TOLERANCE	DRN.	WILL H
MODEL NAME: <b>SMDEF12.6-10P-1S H</b> (Double row pin)	UL REC: UL 94V-0	0 < L ≤ 4 ±0.10 4 < L ≤ 16 ±0.20 16 < L ≤ 64 ±0.30 PIN PITCH ±0.05	CHD.	IRINA LEE
	ANGLE: ± °  SCALE 1:1		ISSD.	JAMES HU